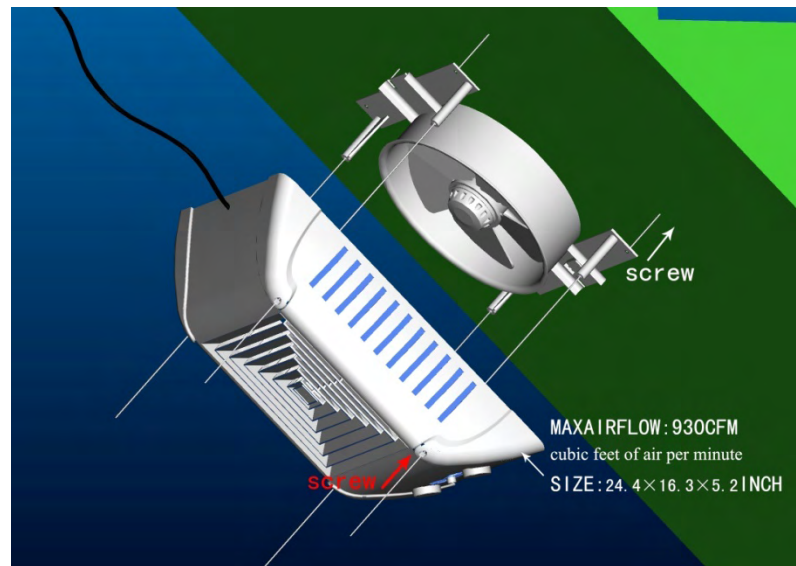




The Garage Addict Fan

What is The Garage Addict Fan?

The Garage Addict Fan is an energy efficient ventilation fan with an adjustable thermostat and humidistat.



How is The Garage Addict Fan different from traditional attic fans?

- Easy installation. The Garage Addict Fan is installed in the pull-down stair case or ceiling of your garage with four screws. It plugs into the nearest 110v outlet where your garage door opener is located. Doesn't require a professional contractor for installation.
- It is designed to cool the garage and attic in your home by as much as 40 degrees. Traditional attic fans only cool the attic.
- It can be used during cold weather to push out the heat and moisture trapped in the attic, which prevents damage to the roof.
- It can be used in humid weather to keep moist air from deteriorating boxes, rusting tools, and causing mold and mildew.

How does The Garage Addict Fan work?

- It pulls cool, fresh, outside air into the garage, and exhausts the hot air from the garage and attic out through the attic vents.
- Lowers the temperature and humidity levels in your garage and attic.
- Prevents garage heat from entering your house when the access door is opened.
- Lowers your electric bill
- Lowers your energy consumption up to 25%.
- Lengthens the life of your roof shingles by reducing the temperature in your attic
- Lengthens the life of your insulation by exhausting moisture from the attic, which packs down insulation.
- Prevents moisture from collecting on valuables stored in your garage and attic.
- Prevents ice damming caused by heat trapped in your attic.
- Easy to install

What's in it for you?

- Profit
- Inexpensive to manufacture
- Easy to install
- Opens the market to the do-it-yourself homeowner
- Green technology/energy efficient product
- No competition
- Patented product

Who benefits from The Garage Addict Fan?

- Homeowners
- Homebuilders
- Commercial real estate owners
- Other businesses – companies that could benefit from this product are those in the business of:
 - HVAC equipment
 - Home improvement
 - Roofing
 - Garage doors
 - Installation/handyman

Note: Because the Garage Addict Fan is an energy efficient product, homeowners and homebuilders could potentially receive a government tax credit by installing this product.

What will it cost to manufacture The Garage Addict Fan?

The manufacturing cost of the Garage Addict Fan is estimated to be \$20 - \$25 per unit.

What can The Garage Addict be sold for?

The retail price for the Garage Addict Fan would be about \$100, which is less than the average cost of other attic fans.

Where should The Garage Addict Fan be sold?

- Home improvement retailers, such as Home Depot and Lowe's, Ace Hardware, True Value, etc.
- Direct from the manufacturer to homebuilders and any other businesses that install home related hardware products

How should The Garage Addict Fan be packaged?

The Garage Addict Fan should be packaged the same way that other attic fans are packaged.

How should The Garage Addict Fan be displayed?

The Garage Addict Fan should be prominently displayed in retail stores as an energy efficient product. Once consumers realize that The Garage Addict Fan not only saves them money on their energy bill, but also allows them to get a government tax credit, they will flock to home improvement stores to purchase it and recommend it to their friends and family.

Summary

- The Garage Addict Fan is a unique ventilation fan designed specifically for garages
- Inexpensive and easy to install
- The Garage Addict Fan is energy efficient
- Homeowners and homebuilders may receive tax credits by installing The Garage Addict Fan
- No competition
- The patent protected The Garage Addict Fan is a perfect addition to the other products you already manufacture

Contact us

Sylvia Williams

972-898-5882